

Perspectives

„Place de la République“, Paris
„Bauhaus“, Dessau



Paris

A facelift for Place de la République





Client

City of Paris
Arrondissements 3, 10 and 11

Work period

January 2011 to June 2013

Design

ArchitektenbüroTrévelo & Viger-Kohler
Vincent Hertenberger
FR-75020 Paris

Project

Landscape architect:
Martha Schwartz Partners and Aeral
Lighting:
AIK/Yann Kersalé
Technical study:
ATEC ingénierie
Roads:
CITEC
Environment:
Transsolar
Advisor:
Ville ouverte
Fountain:
JML Consultants

Logistics coordination:

Centralpose
Razel

Laying contractor:

Société SEGIC Ingénierie

Materials used

Pavings, approx. 20.000 m²
Step blocks, 1100 ml
Tactile pavings
336 m² = approx. 710 pieces
Edging, 1150 ml
Water feature, 278 pieces
Fountain, 743 pieces

The redevelopment of
„Place de la République“

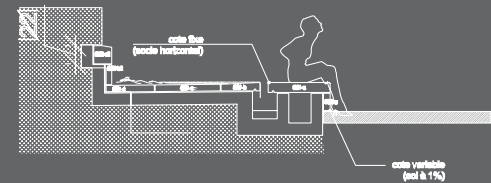
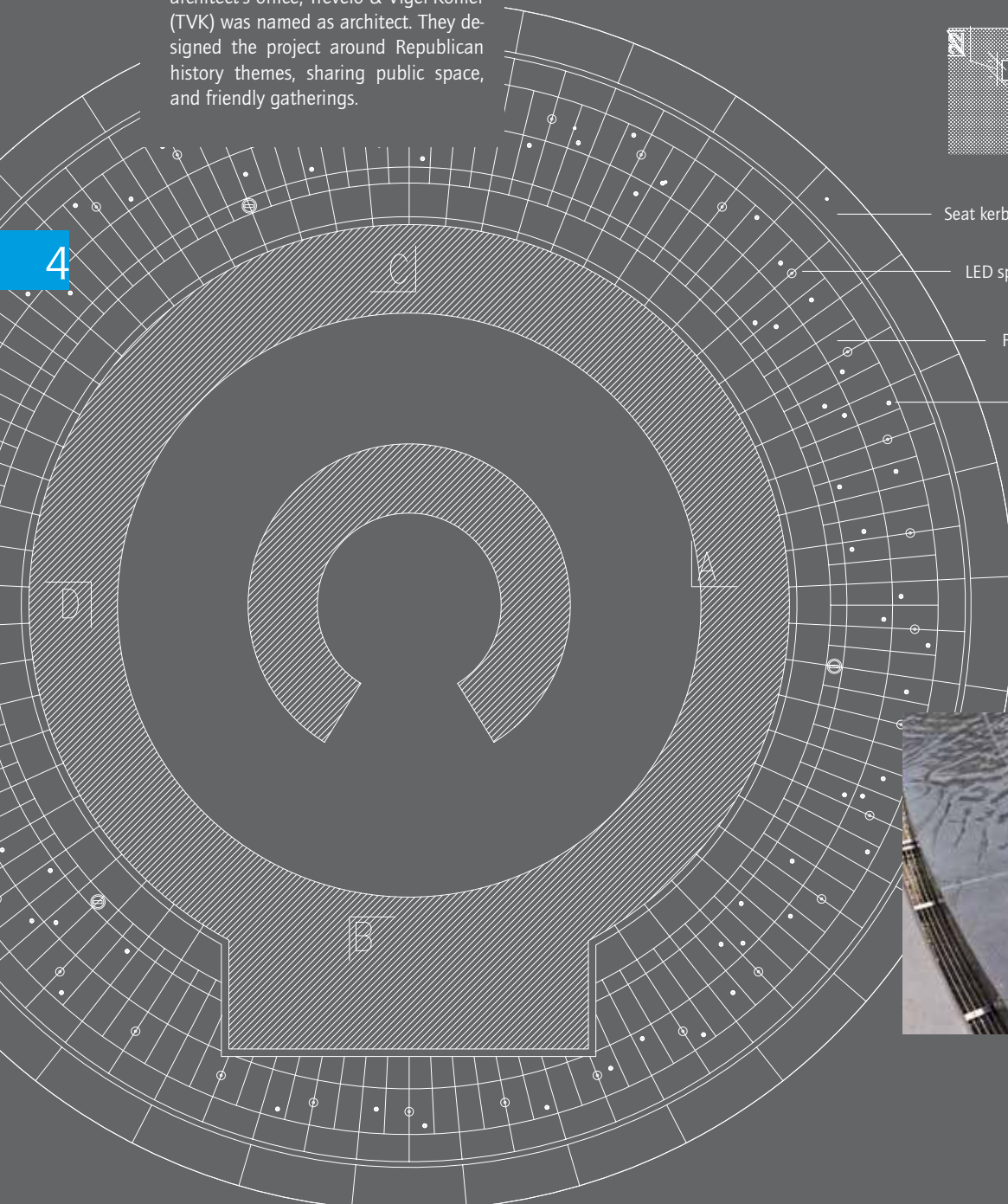
Paris

A facelift for Place de la République

Little by little, the residents of the East Paris districts are beginning to see the completion of a large-scale construction site: Place de la République. One stands in awe on this long esplanade, symbolized by the central Marianne statue, also renovated.

In the past a busy site and theatre of cultural events, Place de la République lost its popularity around the middle of the 20th century, giving way to an endless number of vehicles, to the detriment of urban quality.

In 2008, Paris City decided to bring this place back to life by launching a huge redevelopment project. The urban architect's office, Trevelo & Viger-Kohler (TVK) was named as architect. They designed the project around Republican history themes, sharing public space, and friendly gatherings.



- Seat kerbing
- LED spotlight
- Pool
- Water jets





Long lasting and attractive

With refreshing water features, brilliant lighting effects (with energy saving lamps) and a landscape development using the original trees and new species, the space will be dynamically decorated.

On the ground, the architects imagined small and large modules in a mixture of grey and anthracite shades. The coating of these pavings is silky smooth and perfectly non-slip. Kronimus, the supplying manufacturer of the products, closely contributed to the development of the project with the help of research and development laboratory technicians. The aim was to establish a long-lasting coat that was easy to maintain. For the purpose of the project and the distribution of colour, each product was numbered and placed piece by piece according to the architect's plans. The result is surprisingly attractive both by day and night.

Paris

A facelift for Place de la République

The choice of concrete products

"That's concrete? That can't be possible!" This repeated remark amuses Martin Kronimus, Managing Director of the company of the same name, a family-run company of 550 staff specializing in the manufacture of concrete exterior landscaping products. He walks along Place de la République as if he was at home, so familiar he has become with it through his visits. "Today, the effect of the concrete coating technologies developed by Kronimus is unexpected. We offer outstanding surface finishes, which have nothing to do with traditional grey concrete. The sanded and shot blast treatments are superior and comparable to natural products. The shiny-satin-smooth coating used in Paris is a silky-smooth treatment. Yet, it conforms to non-slip requirements. The subtlety of the gain, the compactness of the concrete and the contrast in shades gives it a unique appearance". The size of one of the three modules was a real challenge, and Kronimus took it successfully on board: the manufacture of paving slabs 1.92 metres long by 62 cm wide, perfectly graded and regular on the surface. "Our leitmotiv remains the permanent quality of our products. We guarantee our paving stones, slabs and edging for 10 years for their resistance to road salt" says Martin Kronimus.

Concrete products have many strengths. On the one hand, they are made locally with natural aggregates. On top of that, they have a highly advantageous carbon footprint, particularly in comparison with natural stones from Asia, which use considerable energy due to transport.

On the other hand, the products are regular and graded enabling finely jointed laying, with an air valve, if required, particularly valued for modern developments. With regard to implementation, the concrete products are laid on a soft surface, which improves laying productivity on site and enables laying/removal interventions without ungainly repairs. Finally, the organization and supply is easier with a local supplier. In this respect, the flexibility and quality of the exchanges with Kronimus are well-known.



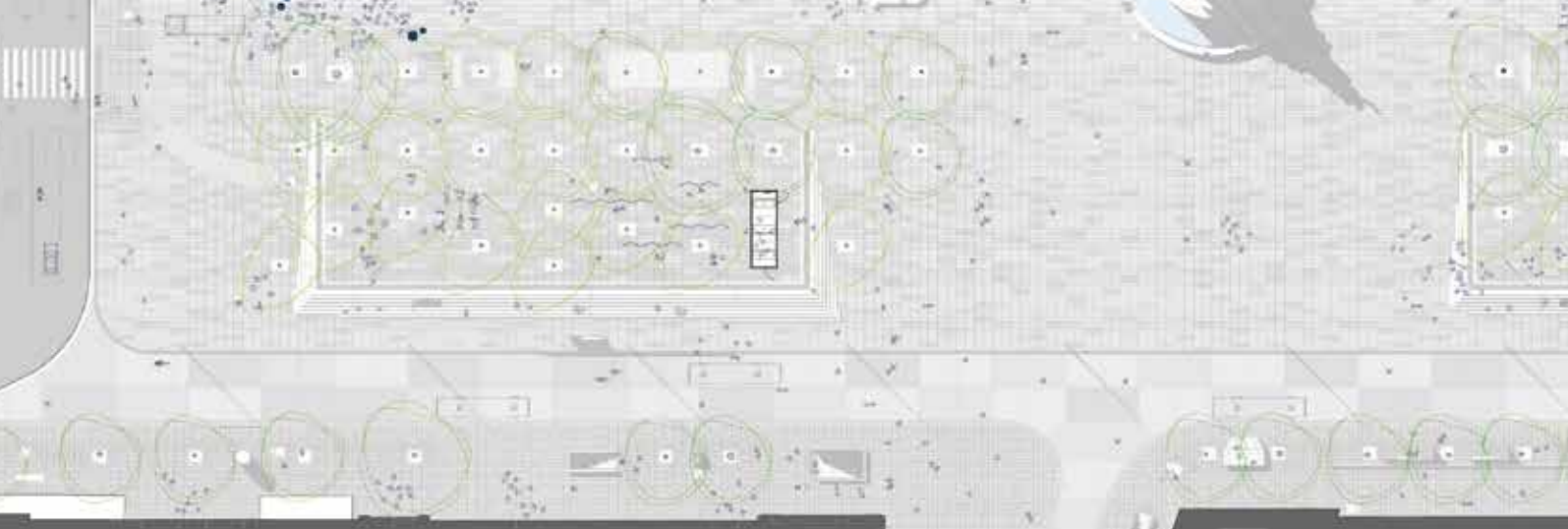
Natural, attractive and with a wide range of shades and formats, resisting road salt, locally manufactured, creating direct and indirect jobs, Kronimus's concrete products have all the strengths needed to win the trust of decision-makers.

A lively esplanade

None of the many technical challenges influenced the construction time, completed in record time.

The construction was delivered to deadline, just before the opening day of the 16th of June, following a year and a half's work. Kronimus delivered specific

products for this project: 20,000 m² of paving slabs, 1,100 lm of steps, 2 km of edging and a fountain made up of 740 separate pieces. Since the formal inauguration in June 2013, the Place de la République has become completely reintegrated in public life as a place whose special atmosphere serves the citizens and favours events, gastronomy and trade. In the urban context, the new square represents an essential step in promoting the vitality of a district, which is now opening up, with a different aspect, to three arrondissements.



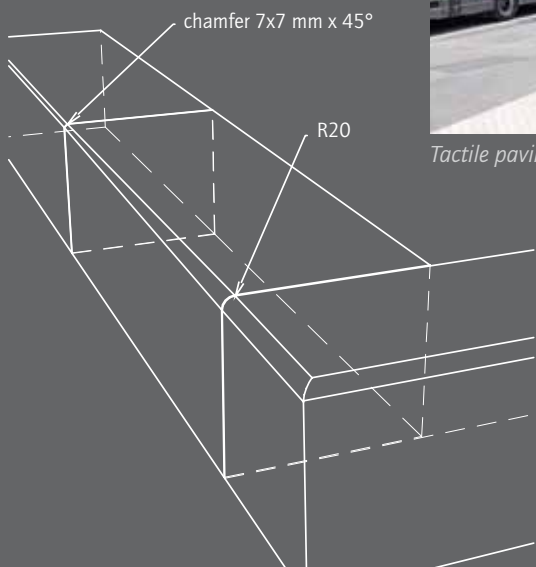
Products
Pavings

Sizes
Length / width / thickness :
192,5 x 68,2 x 14
96,3 x 34,6 x 14
47,6 x 16,3 x 12

Surfaces
Satin-smooth surface, 3 shades of grey developed exclusively for the City of Paris



Tactile paving



Dessau
Bauhaus





Client

*City of Dessau, Bauhaus Foundation
Dessau, State of Saxony-Anhalt*

Work period

2004 to October 2009

Design

*Dipl.-Ing. Tobias Mann
Freelance Landscape architect
Kassel*

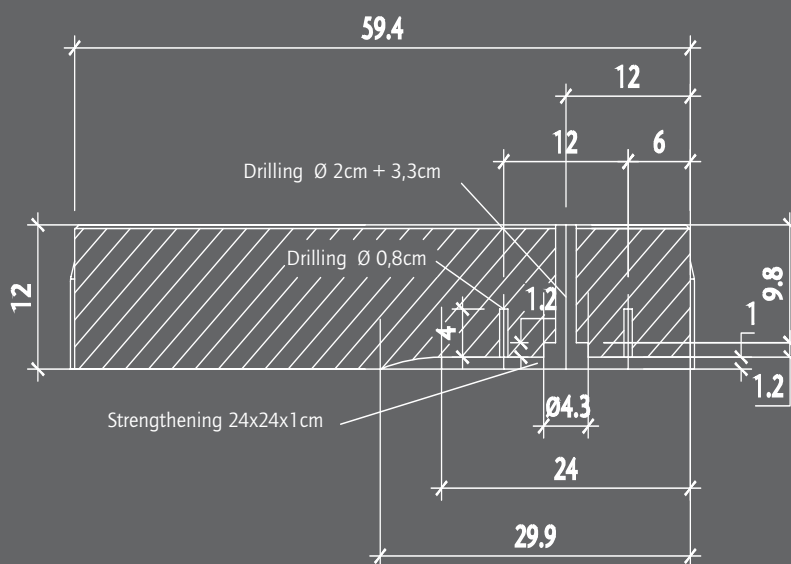
Materials used

*Paving, approx. 11.500 m²
10 seats
85 lm seat blocks
650 lm special edging*

Dessau Bauhaus



60 x60 City-Truck pavings and a special paving including recesses for edgings
(see technical drawing)



90 years ago, Walter Gropius founded the Bauhaus school, and from 1925 to 1932, the city of Dessau became the Mecca of all architects.

The exterior redevelopment of the Dessau site was entrusted to the landscape architect, Tobias Mann. The work took place between 2004 and October 2009. Among more than 100 competitors, Tobias Mann was the only architect to have suggested an overall concept for the new developments. His project did not consist in rebuilding the site in its previous form, but in reinterpreting it. In this context, the architect chose concrete as a material and a partnership with Kronimus.

Products of this company were chosen, because the idea was to emphasize the elements that contribute to highlighting "the musical score played by the Bauhaus building in this ensemble", while conserving identical paving over the whole surface. "Like in a musical composition, the same theme comes back, but in a variety of forms." Kronimus was the conductor of this composition.



The Bench blocks blend harmoniously with the paving.

Products
City Truck paving

Sizes
Length x width / thickness :
60 x 60 cm / 12 cm,
30 x 30 cm / 12 cm,
30 x 15 cm / 12 cm

Special elements
Seats
Bench blocks
Special edging

Surface
Sanding and fine shot blasting
Frankfurt 418



Frankfurt 418



**Head office
and Sales Department France**

Precast Concrete
*Josef-Herrmann-Str. 4 -6
76473 Iffezheim, Germany
Tél. +49 (0) 72 29 69-0
Fax +49 (0) 72 29 69-199
info@kronimus.de*

Maizières-lès-Metz Factory
Kronimus S.A.S.
Precast Concrete
*Route de Marange
57280 Maizières-lès-Metz, France
Tél. +33 3 87 80 11 44
Fax +33 3 87 51 63 69
contact@kronimusfrance.com*

Hartheim Factory
Kronimus AG
Precast Concrete
*Industriestraße 9
79258 Hartheim am Rhein, Germany
Tél. +49 (0) 76 33 90898-0
Fax +49 (0) 76 33 90898-16
info@kronimus.de*

Kronimus AG
exhibition area
*Schafhauser Straße
71106 Magstadt, Germany*

Heilbronn Factory
Kronimus GmbH & Co. KG
Precast Concrete
*Austraße 169-173
74076 Heilbronn
Tél. +49 (0) 71 31 15 18-0
Fax +49 (0) 71 31 15 18-49
info@kronimus.de*